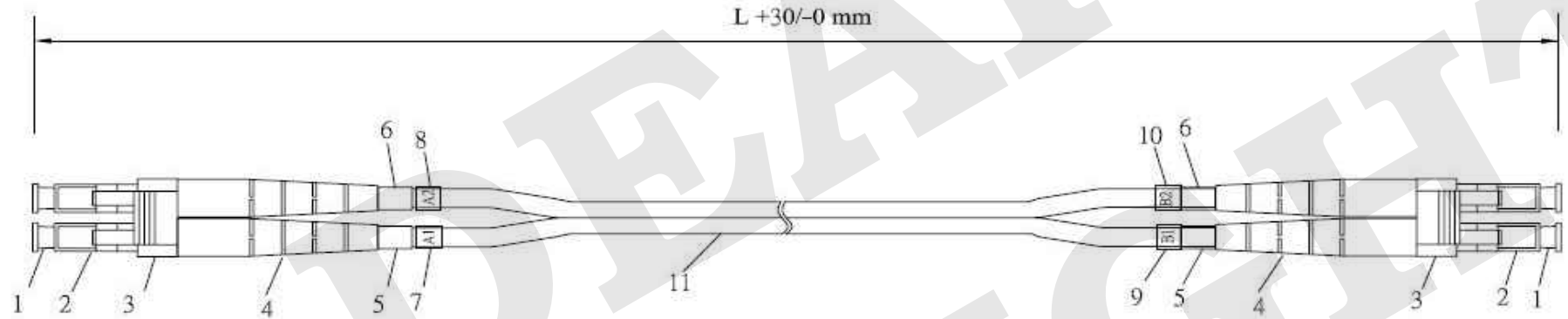


省配線連接線規範

QG-G50-2C-nM-AW-LL 設計規範



Specification:

- 1. Insertion Loss : < 0.3 dB max
- 2. Operating Temperature: -20C to +80C
- 3. Storage Temperature: -40C to +80C

11	Cable	3.0mm Duplex 62.5/125 PVC Cable	Orange
10	Lable B2	Engineering Plastics	
9	Lable A2	Engineering Plastics	
8	Lable B1	Engineering Plastics	
7	Lable A1	Engineering Plastics	
6	Shrink Tube	Engineering Plastics	Yellow
5	Shrink Tube	Engineering Plastics	White
4	LC Boot	Engineering Plastics	White
3	LC Clip	LC MM Duplex Clip	Beige
2	LC Connector	MM LC Type	Beige
1	Dust Cap	LC Dust Cap	White
No.	Description	Specification	Color

Fitek Photonics Corporation

REV	DESCRIPTION	DATE	承認	審核	繪圖	客戶P/N	日期	2019/01/22	 歐迪爾股份有限公司 O-DEAR INTERNATIONAL CORP.
1.0	Original Release	2019/01/22	批准				產品編碼	BB-FD-G502CA-LL000	
			2019.01.22				圖面案號		歐迪爾P/N : QG-G50-2C-nM-AW-LL
			工程部						比例: 單位:mm 版本:1.0 頁次:1/1